

MAKER™ INVENT™ TABLE

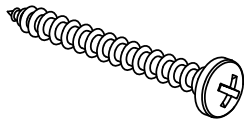
Thank you for purchasing a MAKER INVENT TABLE from Paragon Furniture. Enclosed in the box are the various hardware and components you will need to assemble the product. Review the **PARTS LIST** below to ensure all the hardware and components are included before you start assembly. Please follow the steps below in order to ensure your product is constructed properly.

If you have any questions throughout this process or with your product after set-up, please contact **Paragon Furniture Customer Service at (800) 451-8646**

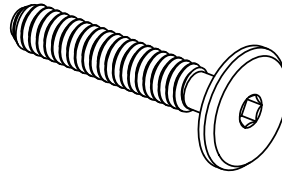
PARTS LIST



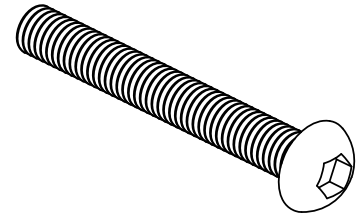
Phillips Pan 5/8"
Wood Screw
Qty 28



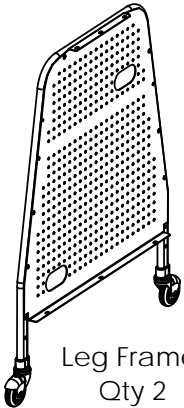
Phillips Pan 1 3/4"
Wood Screw
Qty 4



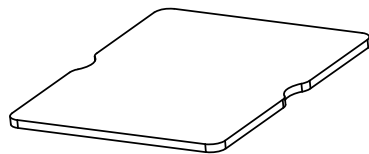
1/4" HEX BOLT
1 1/2"
Qty 12



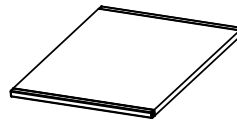
3/8" HEX BOLT 3"
Qty 4



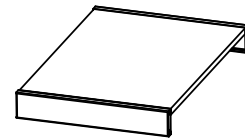
Leg Frames
Qty 2



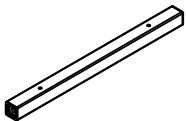
Work Surface
Qty 1



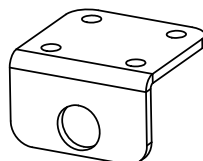
Upper Shelf
Qty 1



Lower Shelf
Qty 1



Cross Bar
Qty 2



Top Connecting
Bracket
Qty 4

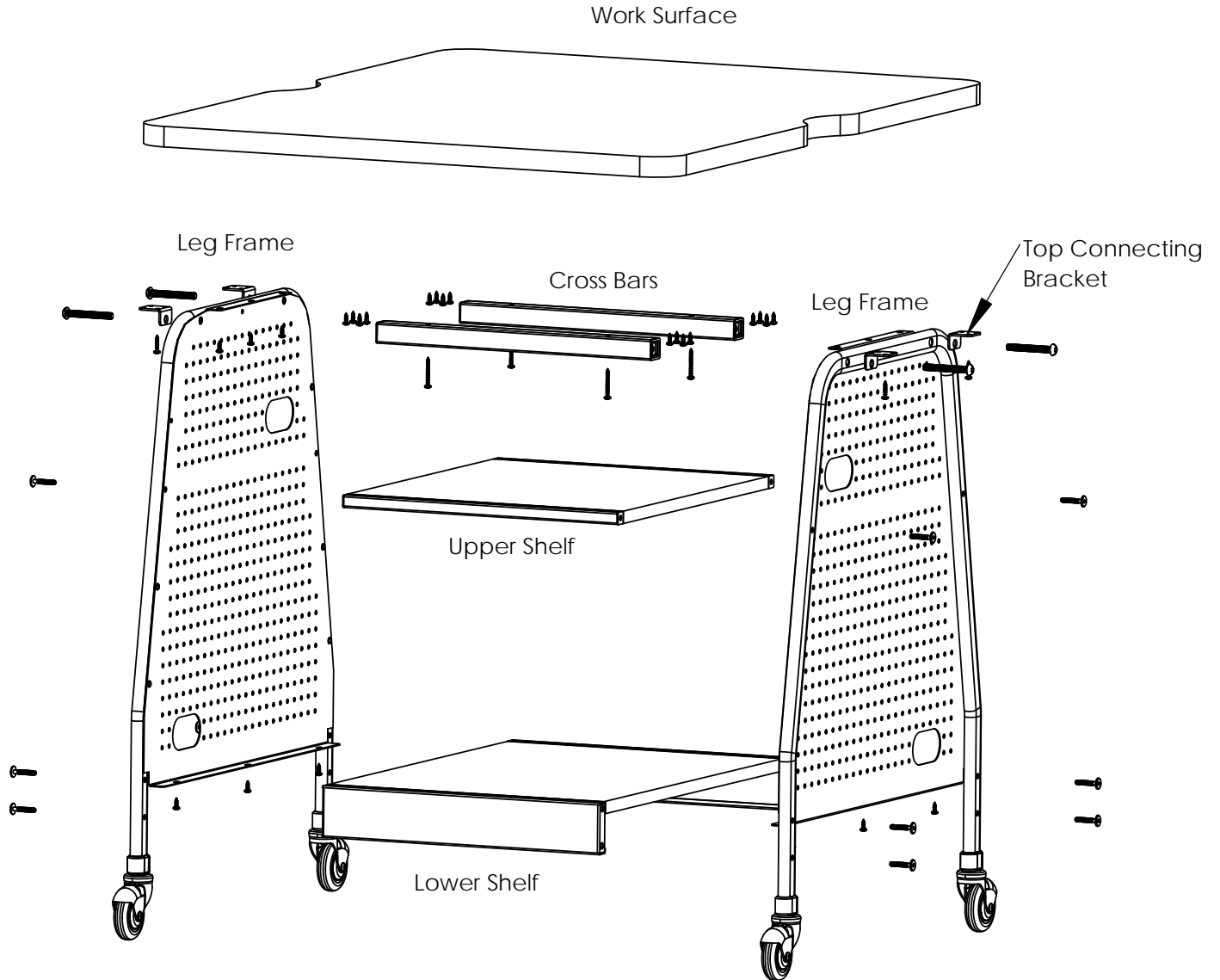
TOOLS REQUIRED

5/32" HEX HEAD WRENCH

7/32" HEX HEAD WRENCH

#2 PHILLIP'S DRIVER/CORDLESS DRILL

EXPLODED VIEW



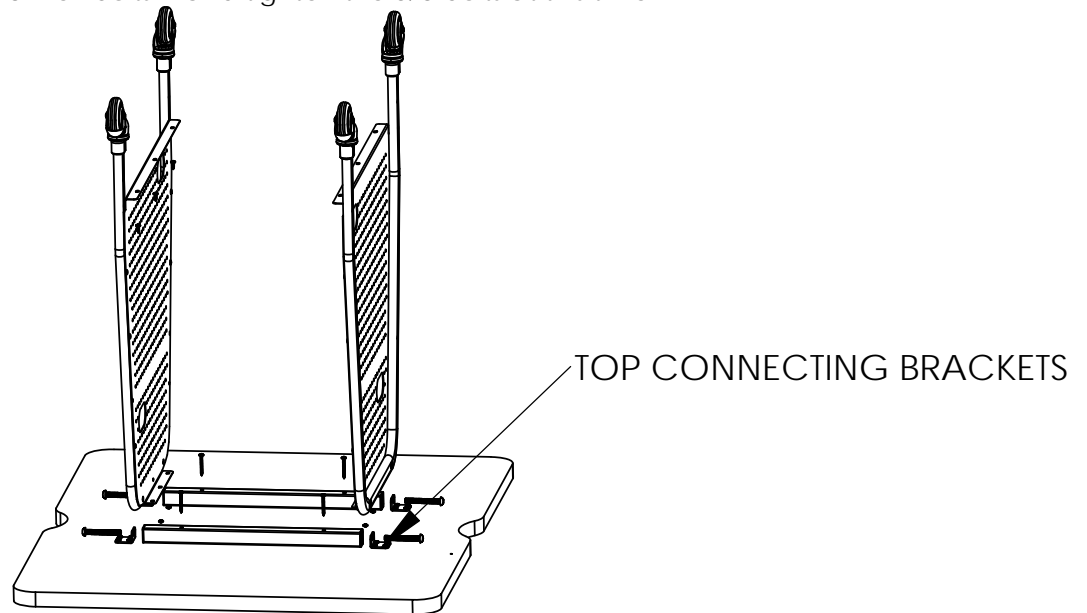
**DO NOT FULLY TIGHTEN HARDWARE
UNTIL AFTER ATTACHING WORKSURFACE.**

STEP 1

Place **Work Surface** top face down on a clean scratch free surface.

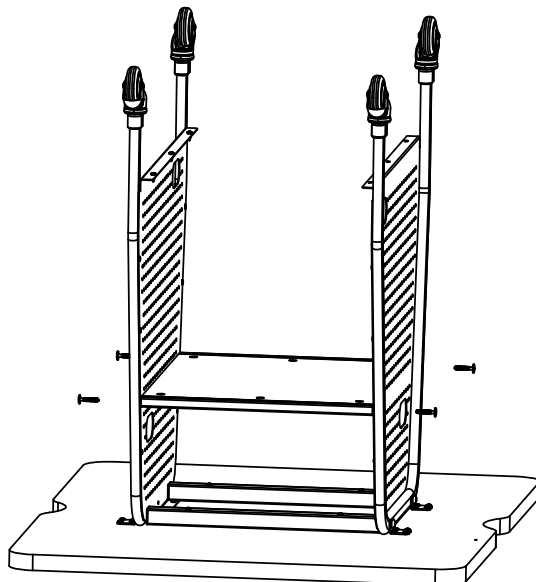
Attach the 2 **Leg Frames** using 5/8" screws

Attach the 2 **Cross Bars** and **Top Connecting Brackets** with the 1 3/4 wood screws and 3/8" hex bolts. Hand tighten the 3/8 bolts at this time.



STEP 2

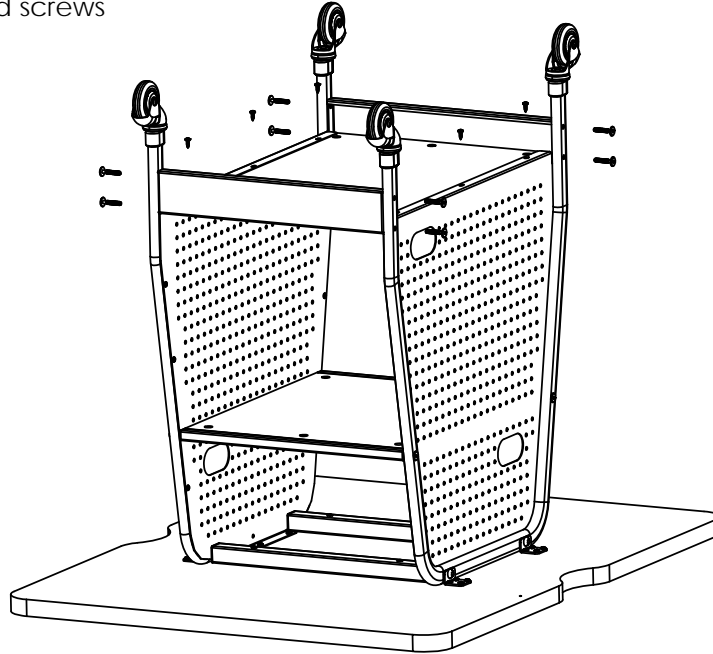
Connect **Upper Shelf** using 1/4" hex bolts hand tighten



**DO NOT FULLY TIGHTEN HARDWARE
UNTIL AFTER ATTACHING WORKSURFACE.**

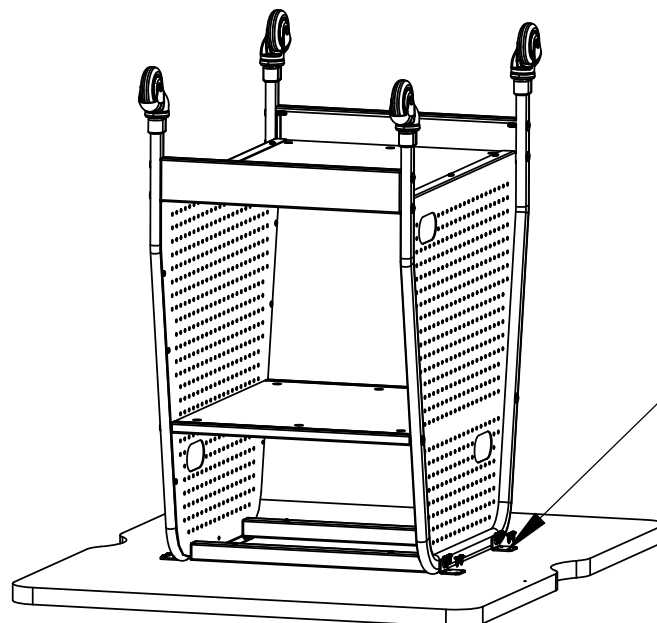
STEP 3

Connect **Lower shelf** to the **Leg Frame** using eight 1/4" hex bolts hand tighten
Connect **Lower shelf** to the Panel Flange on both **Leg Frames** using six 5/8" wood screws



STEP 4

Install sixteen 5/8 wood screws into the four **Top Connecting Brackets**
Now go back and tighten all the bolts assembly is now complete turn table upright.



TOP CONNECTING BRACKETS