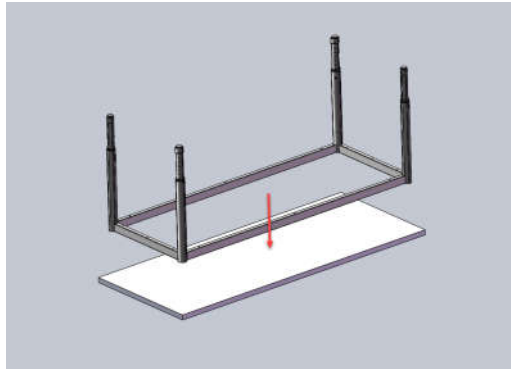




# ASSEMBLY INSTRUCTIONS FOR AND ALL WELDED TABLE (AT-AW)



1. Unpack and lay out the upside-down tabletop on a clean scratch free surface.  
\*NOTE: If you have a Phenolic or Epoxy top, please refer to section titled "Phenolic and Epoxy Top Installation" at the end of this document.



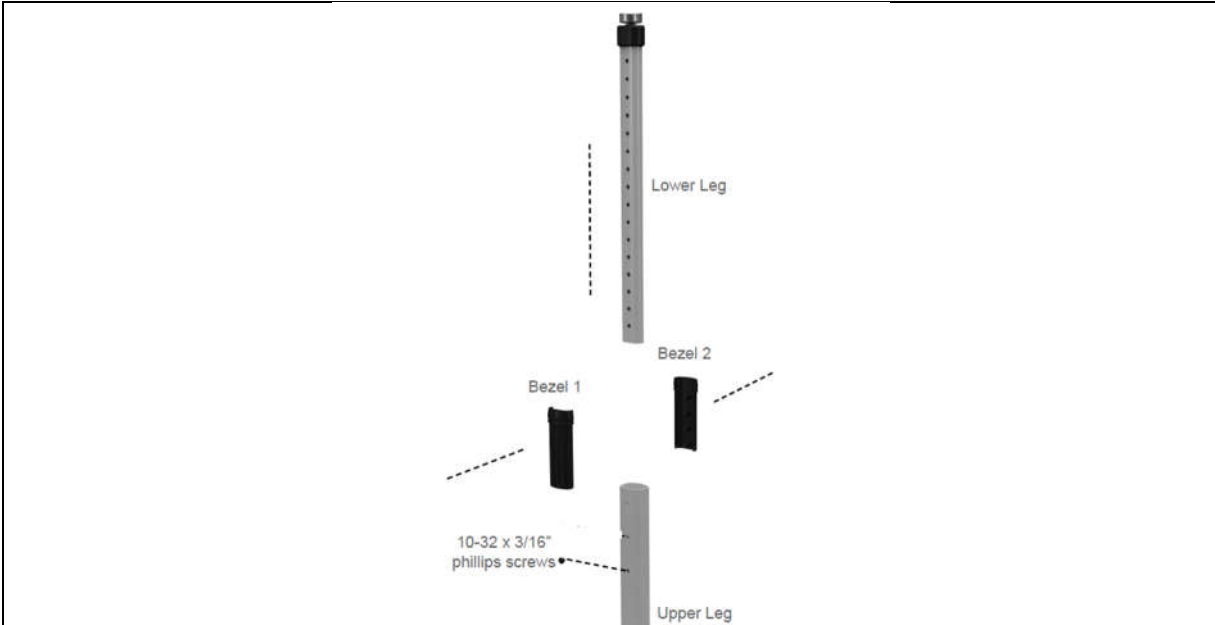
2. Use targets to center frame on table top.
3. With a power drill, attach frame to tabletop using provided 3 in. self-tapping wood screws.
4. Screws will be inserted through provided holes in table frame.



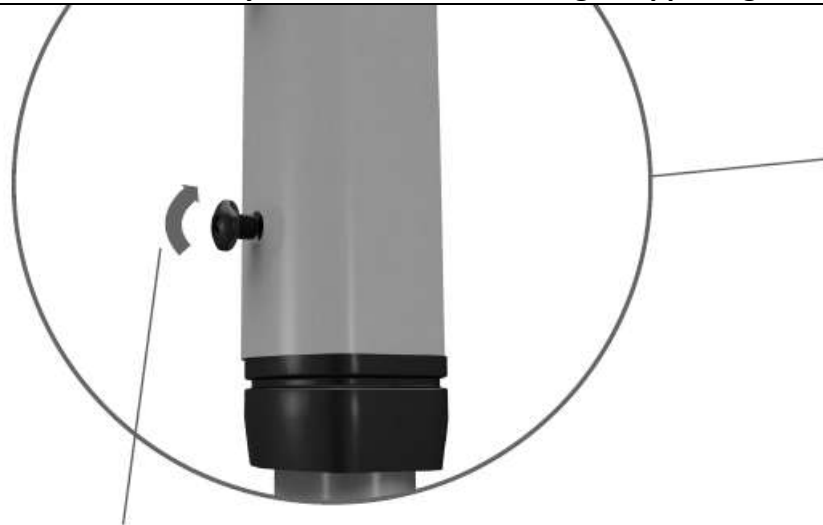
5. While table is upside down install and set height of legs.

5a. Place Bezel 1 and Bezel 2 at desired height on Lower Leg. They will lock into place.

5b. Slide lower leg with bezels into upper leg.

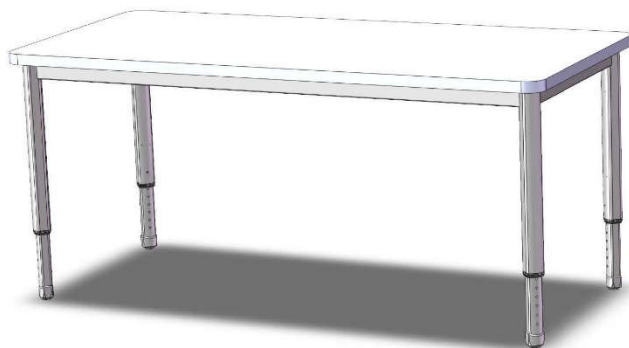


6. Carefully install set screws by hand to attach lower leg to upper leg.



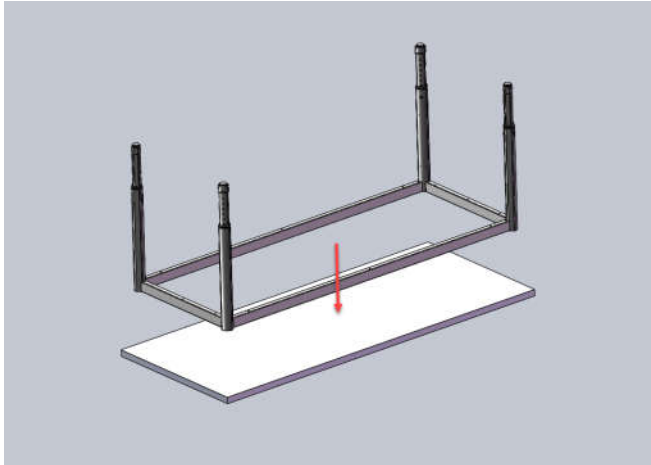
DO NOT USE POWER DRILL TO APPLY  
10-32 x 3/16" phillips Screws. They will STRIP OUT

**7. Turn over table and place upright.**

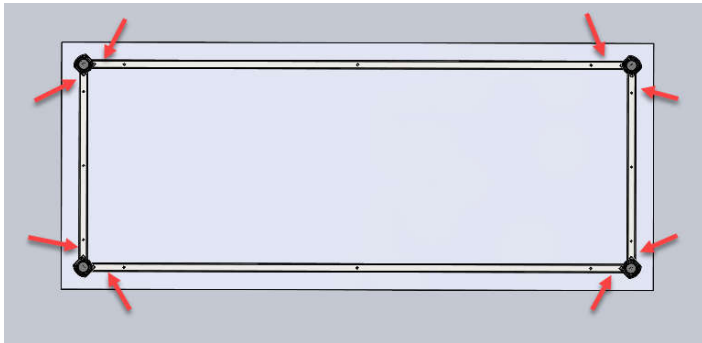


## \*PHENOLIC AND EPOXY TOP INSTALLATION

- Place top on clean surface upside down.
- Do not remove tape backing from frame and place frame upside down on the top.



- Center frame on the top and use a marker to trace the straight edge of the frame along its corners.



- Remove the tape backing.



- Place frame upside down on top and align with the marks you drew.
- Press down firmly.
- Return to **STEP 5** of previous section.